

# PS 40VA Series Power Supplies

## DIN Mount Step Down Transformers



- 35mm DIN mount power supply / step-down transformer
- 120, 208, 240, 277 or 480Vac to 24Vac / 40VA output
- For stand-alone use or as an option for the TP and LPC series proportional Power Controllers

Specifications	PS-120-208-240	PS-120-208-240-277	PS-480-40VA
Input Voltage (Vac)	120 / 208 / 240	120 / 208 / 240 / 277	480
Frequency (Hz)	50 - 60	50 - 60	50 - 60
Output Voltage (Vac)	24	24	24
Output Current (VA)	40	40	40



### PS-120-208-240

#### **Input**

White – 120Vac  
 Red – 208Vac  
 Orange – 240Vac  
 Black – Common

#### **Output**

Blue/Yellow – 24Vac



### PS-120-208-240-277

#### **Input**

White – 120Vac  
 Red – 208Vac  
 Orange – 240Vac  
 Brown – 277Vac  
 Black – Common

#### **Output**

White/Yellow – 24Vac  
 Yellow - Common



### PS-480-40VA

#### **Input**

Black/Red – 480Vac  
 Black - Common

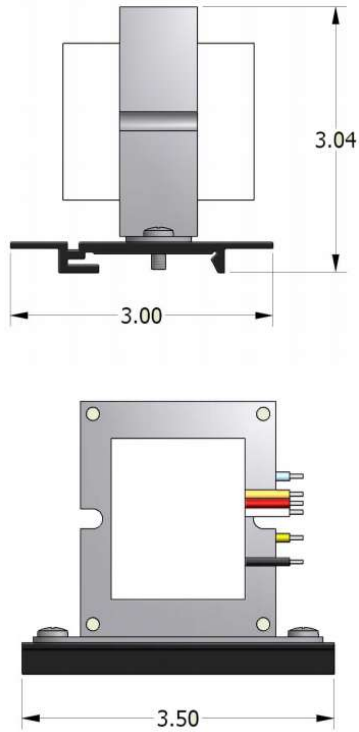
#### **Output**

Blue/Yellow – 24Vac

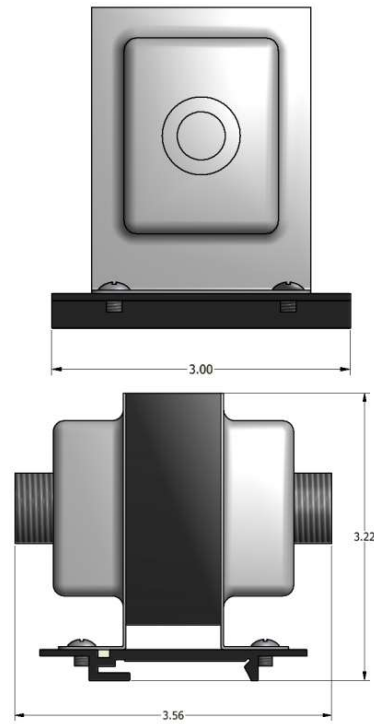
# PS 40VA Series Power Supplies

## DIN Mount Stepdown Transformers

**PS-120-208-240**



**PS-120-208-240-277**



**PS-480-40VA**

