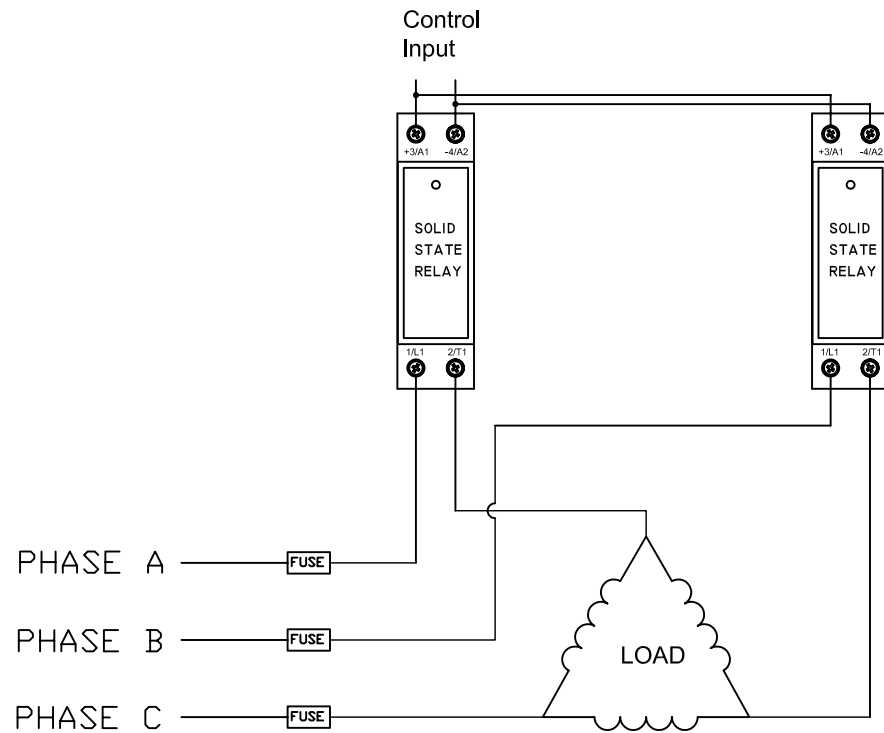


H B CONTROLS	H B CONTROLS 221 WEAVER ST FALL RIVER MA 02720 508-676-7345		
	Notes: WIRING DIAGRAM		
DRAWN BY: JWP	SIZE A	ASSY DWG:	PART NO. 3 PHASE, 3 POLE, WYE (N)
	SCALE None	FILE:	REV 1 SHEET 1 of 1



**H
B
CONTROLS**

H B CONTROLS 221 WEAVER ST
FALL RIVER MA 02720
508-676-7345

Notes:
WIRING DIAGRAM

DRAWN BY: JWP

SIZE
A

ASSY DWG:

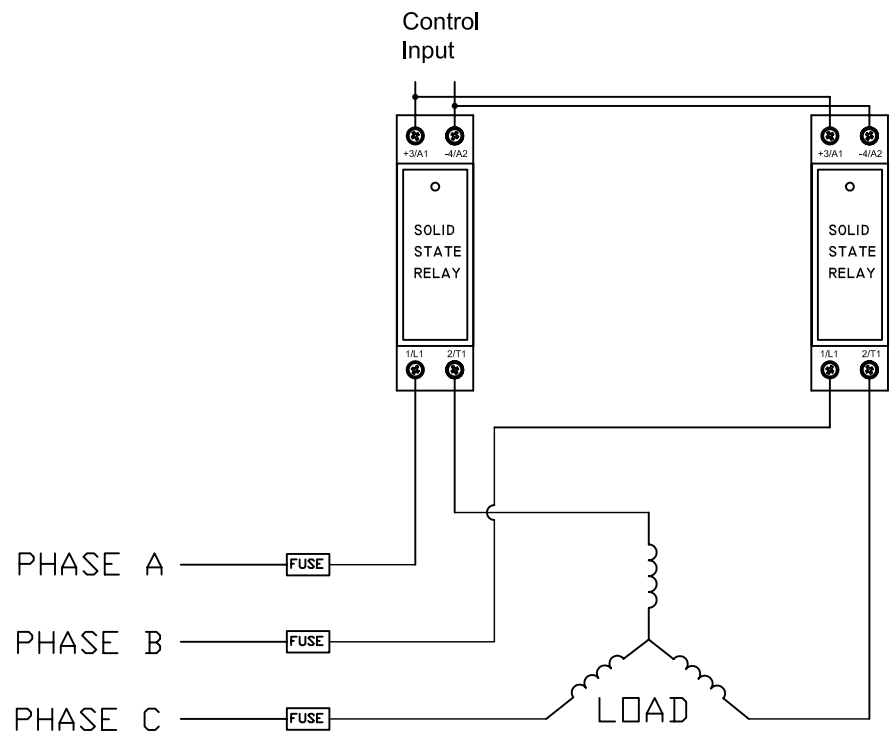
PART NO.
3 PHASE, 2 POLE, DELTA

REV
1

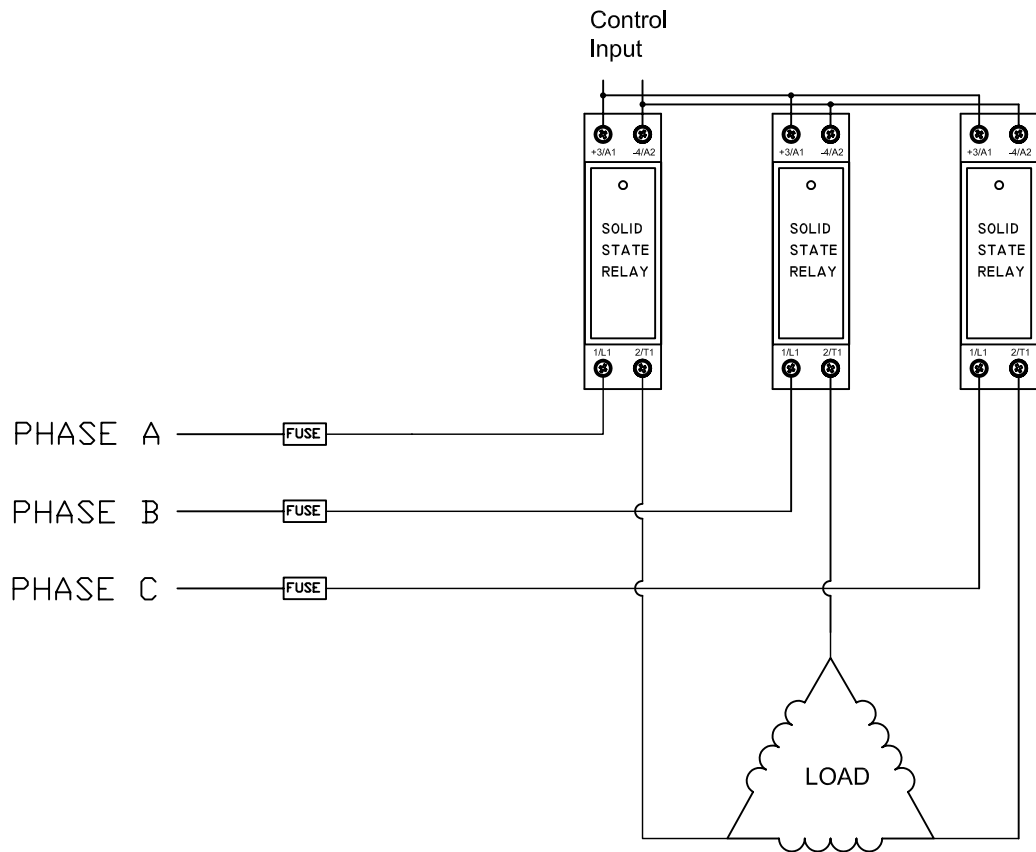
SCALE None

FILE:

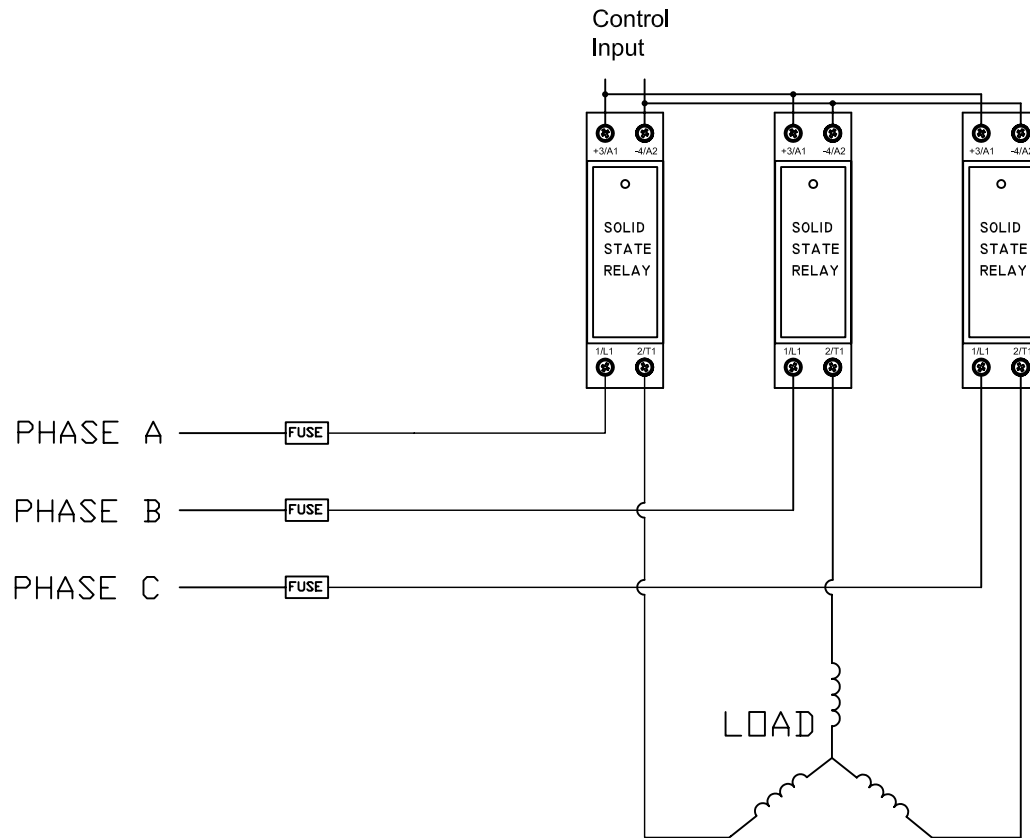
SHEET 1 of 1



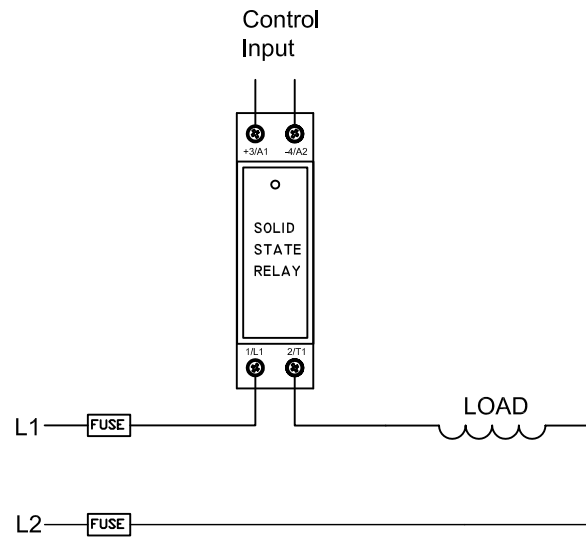
H B CONTROLS	H B CONTROLS 221 WEAVER ST FALL RIVER MA 02720 508-676-7345		
	Notes: WIRING DIAGRAM		
DRAWN BY: JWP	SIZE A	ASSY DWG:	PART NO. 3 PHASE, 2 POLE, WYE
	SCALE None	FILE:	REV 1
			SHEET 1 of 1



H B CONTROLS	H B CONTROLS 221 WEAVER ST FALL RIVER MA 02720 508-676-7345		
	Notes: WIRING DIAGRAM		
DRAWN BY: JWP	SIZE A	ASSY DWG:	PART NO. 3 PHASE, 3 POLE, DELTA
	SCALE None	FILE:	REV 1 SHEET 1 of 1



H B CONTROLS	H B CONTROLS 221 WEAVER ST FALL RIVER MA 02720 508-676-7345		
	Notes: WIRING DIAGRAM		
DRAWN BY: JWP	SIZE A	ASSY DWG:	PART NO. 3 PHASE, 3 POLE, WYE
	SCALE None	FILE:	REV 1
			SHEET 1 of 1



**H
B
CONTROLS**

H B CONTROLS 221 WEAVER ST
FALL RIVER MA 02720
508-676-7345

Notes:
WIRING DIAGRAM

DRAWN BY: JWP

SIZE
A

ASSY DWG:

PART NO.
SINGLE PHASE, SINGLE POLE

REV
1

SCALE None

FILE:

SHEET 1 of 1