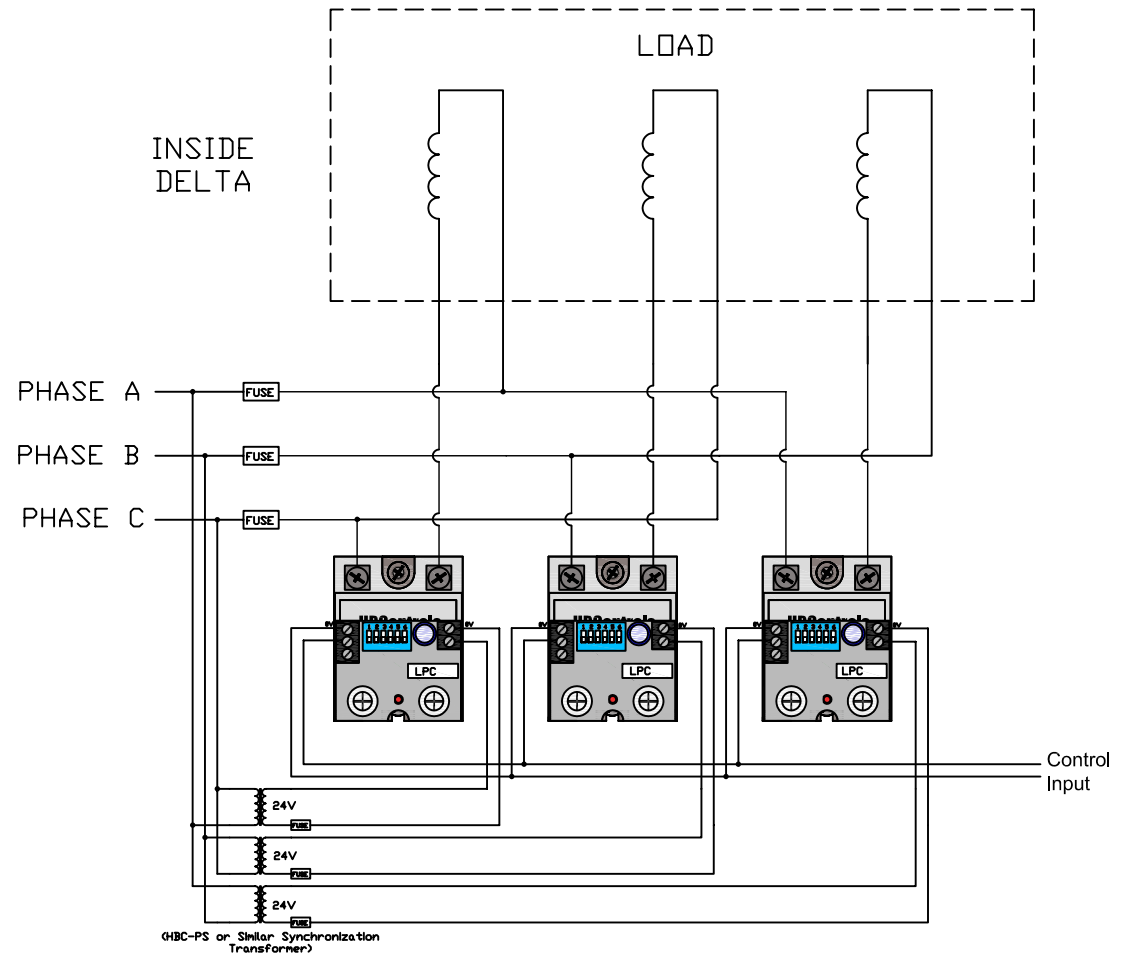


LPC
Three
Phase
Applications

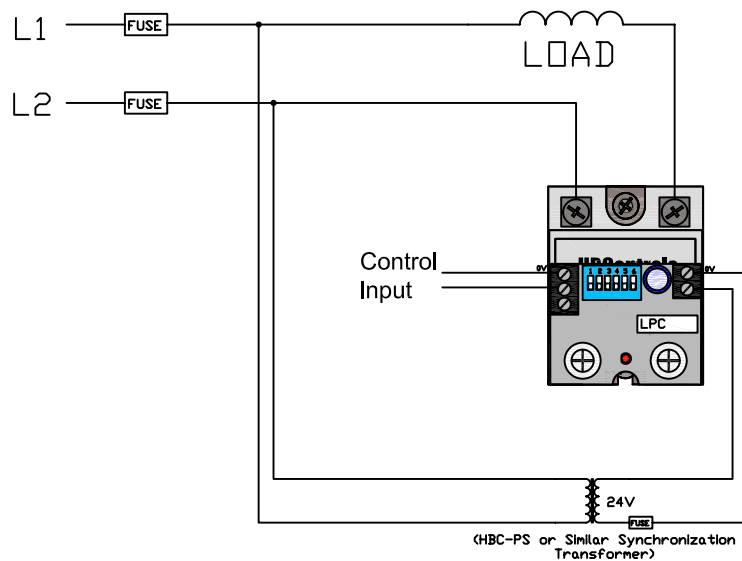


(HBC-PS or Similar Synchronization Transformer)

NOTES:
Contact HBCcontrols Engineering Department for alternate wiring schemes
Proper phase location is required for synchronization
0V wires should not be combined for proper isolation and operation (Proper polarity is important)
4-20 wiring diagram same as 0-10V, but with different switch config. (one unit must be set to 4-20, other 2 must be set to 0-5)

H B CONTROLS	H B CONTROLS 221 WEAVER ST FALL RIVER MA 02720 508-676-7345		
	Notes: WIRING DIAGRAM		
DRAWN BY: JWP	SIZE A	ASSY DWG:	PART NO. 3 PHASE, 3 POLE DELTA
	SCALE None	FILE:	REV 3-31-08
			SHEET 1 of 1

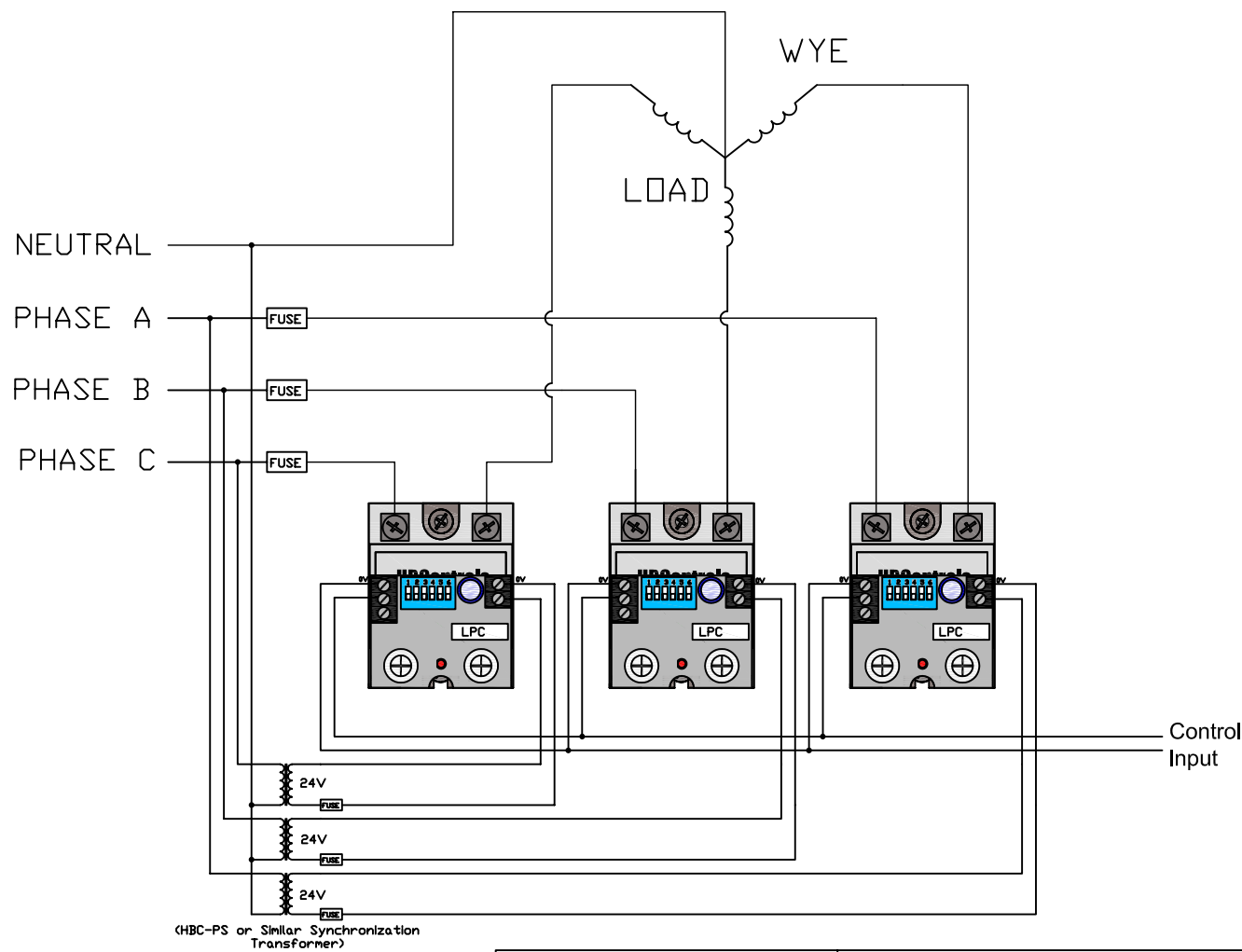
LPC
Single
Phase
Applications



NOTES:
Synchronization transformer must be
wired to same phase as load being
controlled

H B CONTROLS	H B CONTROLS 221 WEAVER ST FALL RIVER MA 02720 508-676-7345		
	Notes: WIRING DIAGRAM		
DRAWN BY: JWP	SIZE A	ASSY DWG:	PART NO. SINGLE PHASE
	SCALE None	FILE:	REV 1
			SHEET 1 of 1

LPC
Three
Phase
Applications

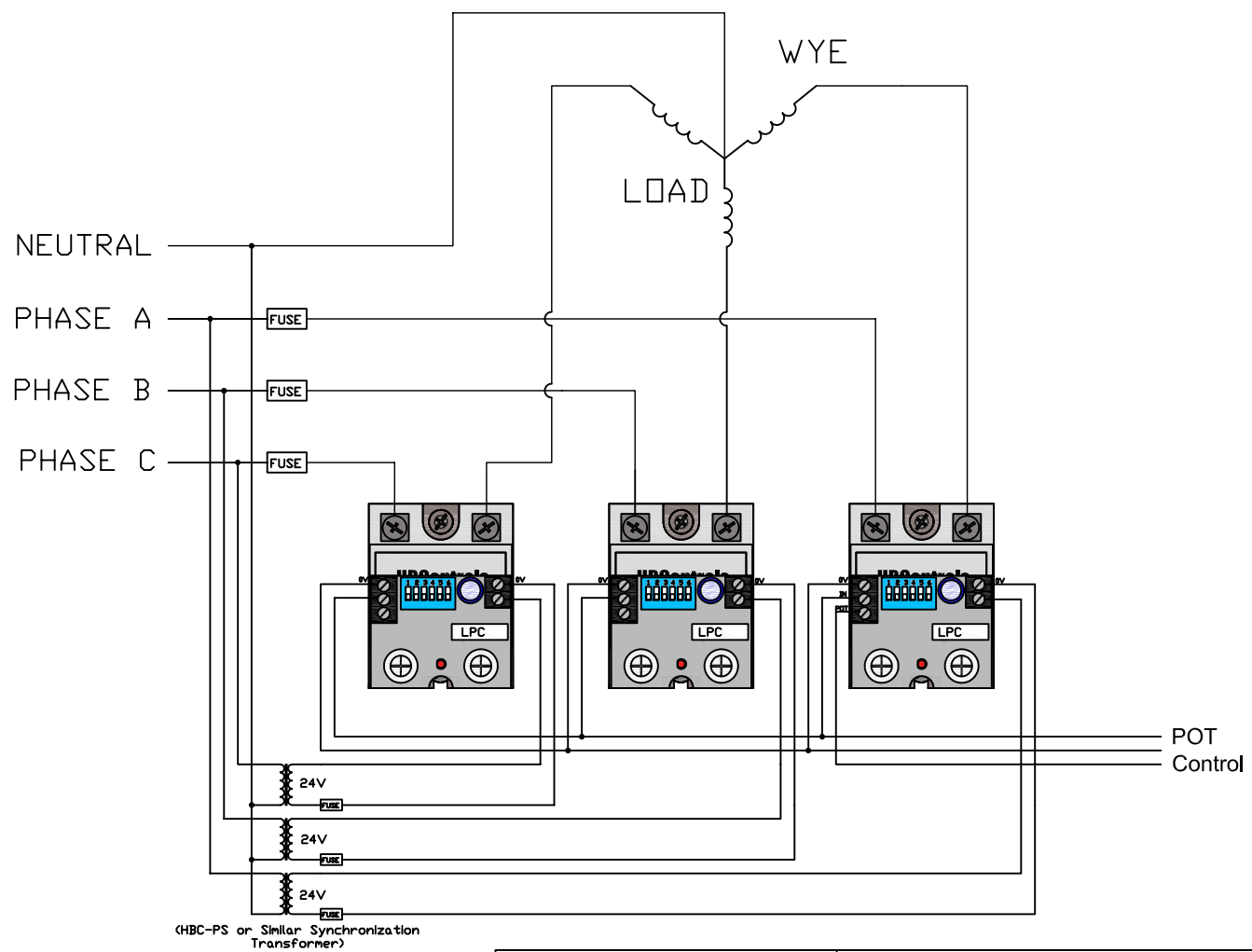


(HBC-PS or Similar Synchronization Transformer)

NOTES:
Contact HBCcontrols Engineering Department for alternate wiring schemes
Center neutral and proper phase location is required for synchronization
0V wires should not be combined for proper isolation and operation (Proper polarity is important)
4-20 wiring diagram same as 0-10V, but with different switch config. (one unit must be set to 4-20, other 2 must be set to 0-5)

H B CONTROLS	H B CONTROLS 221 WEAVER ST FALL RIVER MA 02720 508-676-7345		
	Notes: WIRING DIAGRAM		
DRAWN BY: JWP	SIZE A	ASSY DWG:	PART NO. 3 PHASE, 3 POLE, WYE (N)
	SCALE None	FILE:	REV 1
			SHEET 1 of 1

LPC
Three
Phase
Applications



NOTES:
Contact HBCcontrols Engineering Department for alternate wiring schemes
Center neutral and proper phase location is required for synchronization
0V wires should not be combined for proper isolation and operation (Proper polarity is important)
4-20 wiring diagram same as 0-10V, but with different switch config. (one unit must be set to 4-20, other 2 must be set to 0-5)

H B CONTROLS	H B CONTROLS 221 WEAVER ST FALL RIVER MA 02720 508-676-7345			
	Notes: WIRING DIAGRAM			
DRAWN BY: JWP	SIZE A	ASSY DWG:	PART NO. 3 PHASE, 3 POLE, WYE (N)	REV 1
SCALE None		FILE:		SHEET 1 of 1