

**H
B
CONTROLS**

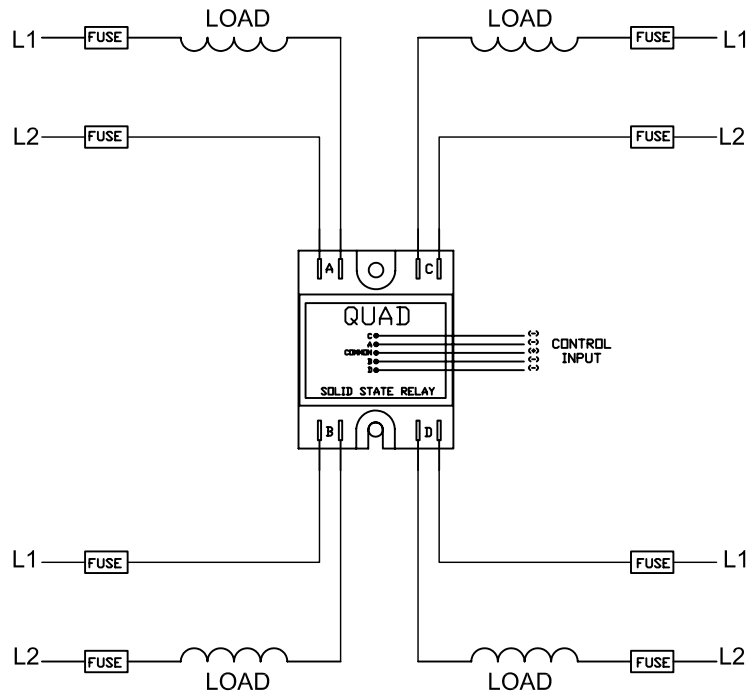
H B CONTROLS 221 WEAVER ST
FALL RIVER MA 02720
508-676-7345

Notes:
WIRING DIAGRAM

DRAWN BY: JWP

SIZE A	ASSY DWG:	PART NO. 3 PHASE, 4 POLE, DELTA, WYE	REV 1
-----------	-----------	---	----------

SCALE None	FILE:	SHEET 1 of 1
------------	-------	--------------



**H
B
CONTROLS**

H B CONTROLS 221 WEAVER ST
FALL RIVER MA 02720
508-676-7345

Notes:
WIRING DIAGRAM

DRAWN BY: JWP

SIZE A	ASSY DWG:	PART NO. SINGLE PHASE, 4 POLE	REV 1
-----------	-----------	----------------------------------	----------

SCALE None	FILE:	SHEET 1 of 1
------------	-------	--------------