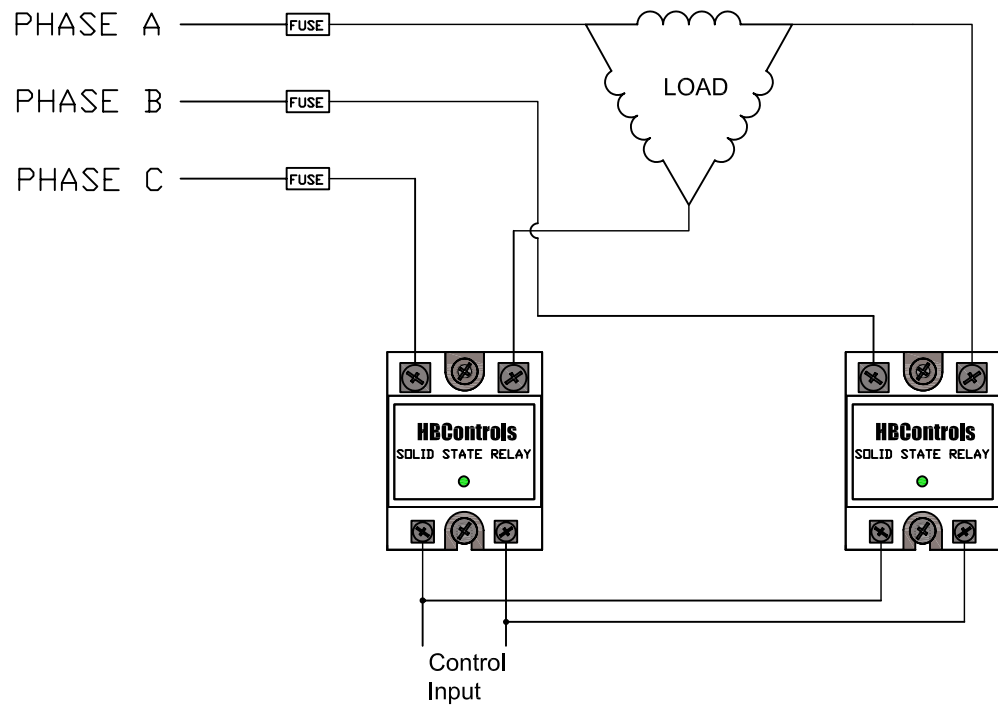
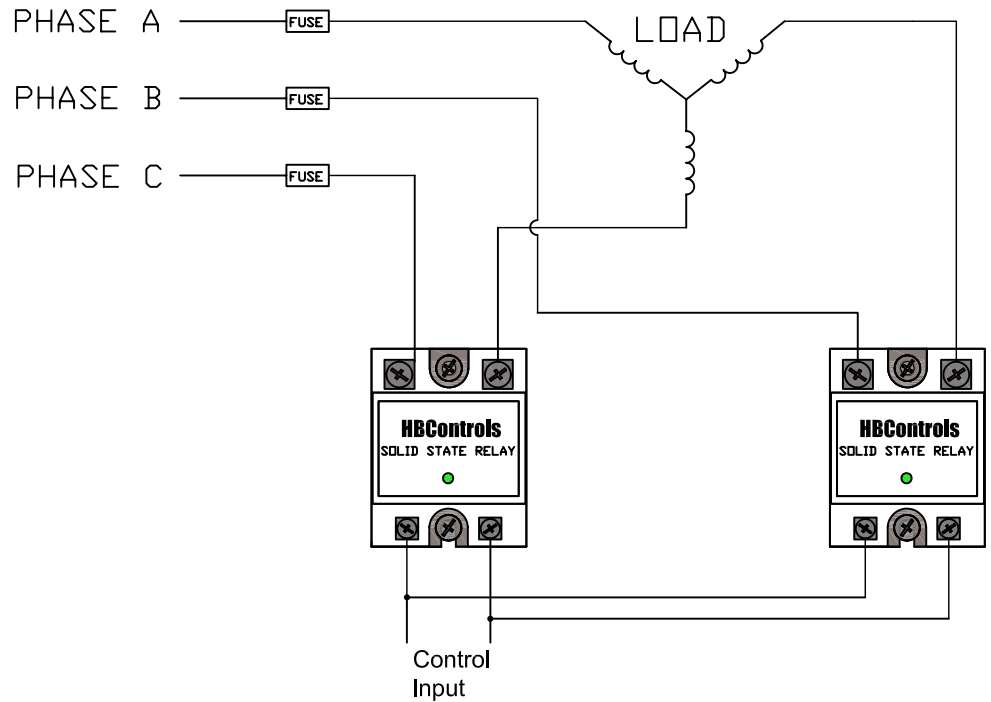


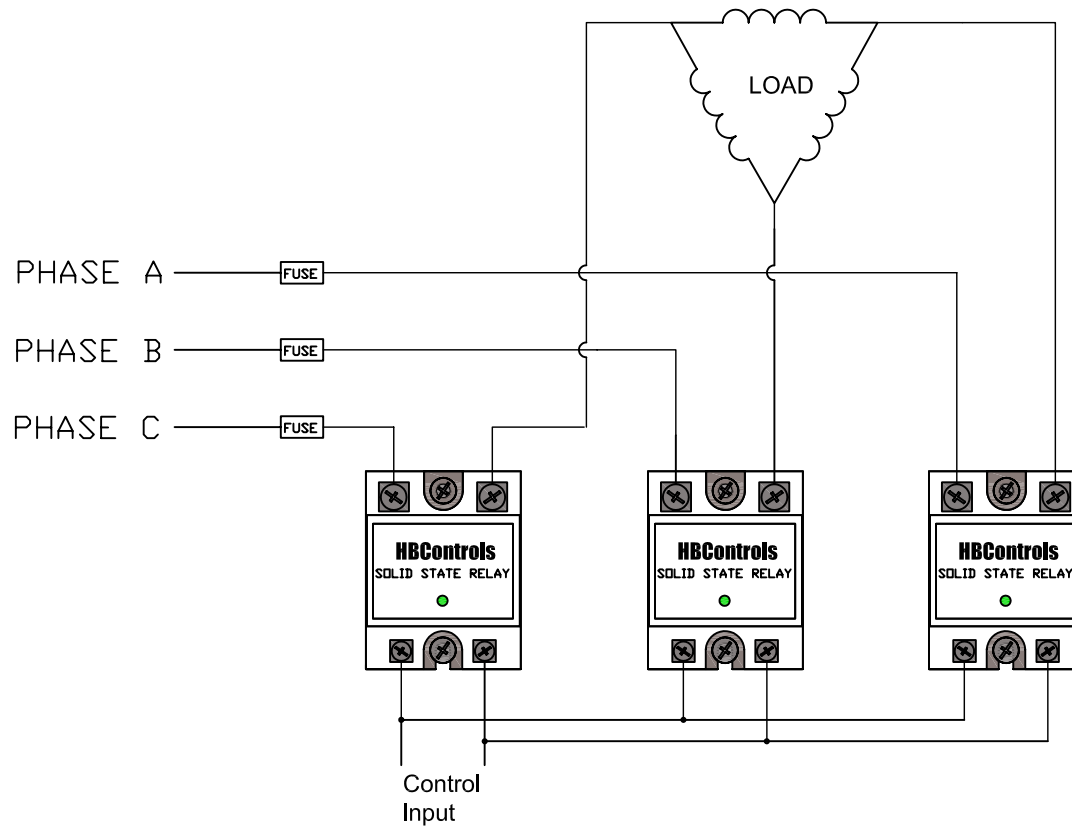
H B CONTROLS	H B CONTROLS 221 WEAVER ST FALL RIVER MA 02720 508-676-7345		
	Notes: WIRING DIAGRAM		
DRAWN BY: JWP	SIZE A	ASSY DWG:	PART NO. 3 PHASE, 3 POLE, WYE
	SCALE None	FILE:	REV 1
			SHEET 1 of 1



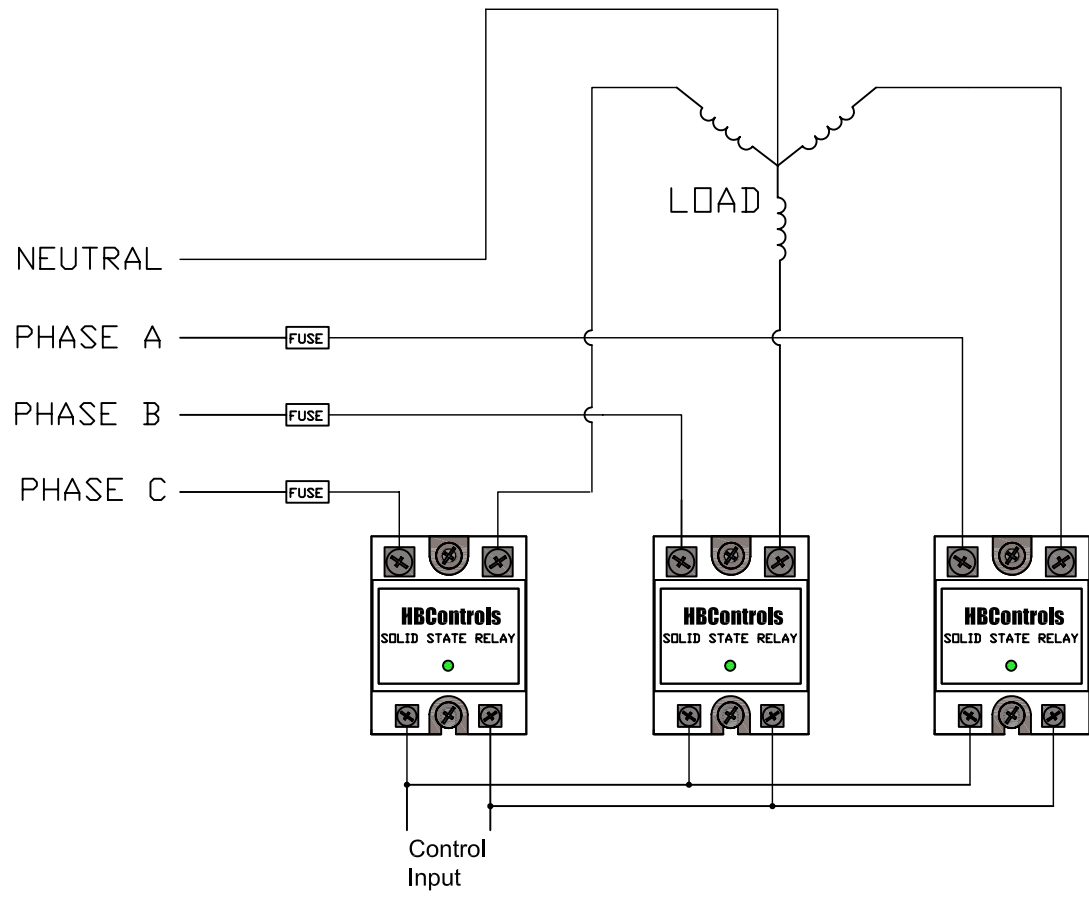
H B CONTROLS	H B CONTROLS 221 WEAVER ST FALL RIVER MA 02720 508-676-7345		
	Notes: WIRING DIAGRAM		
DRAWN BY: JWP	SIZE A	ASSY DWG:	PART NO. 3 PHASE, 2 POLE, DELTA
	SCALE None	FILE:	REV 1
			SHEET 1 of 1



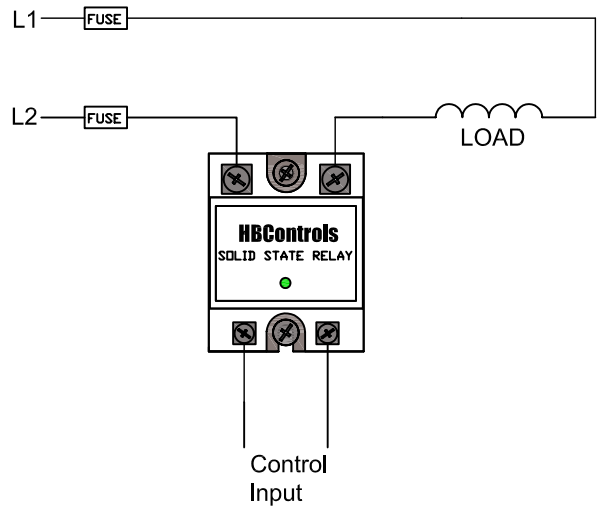
H B CONTROLS	H B CONTROLS 221 WEAVER ST FALL RIVER MA 02720 508-676-7345		
	Notes: WIRING DIAGRAM		
DRAWN BY: JWP	SIZE A	ASSY DWG:	PART NO. 3 PHASE, 2 POLE, WYE
	SCALE None	FILE:	REV 1
			SHEET 1 of 1



H B CONTROLS	H B CONTROLS 221 WEAVER ST FALL RIVER MA 02720 508-676-7345		
	Notes: WIRING DIAGRAM		
DRAWN BY: JWP	SIZE A	ASSY DWG:	PART NO. 3 PHASE, 3 POLE, DELTA
	SCALE None	FILE:	REV 1
			SHEET 1 of 1



H B CONTROLS	H B CONTROLS 221 WEAVER ST FALL RIVER MA 02720 508-676-7345		
	Notes: WIRING DIAGRAM		
DRAWN BY: JWP	SIZE A	ASSY DWG:	PART NO. 3 PHASE, 3 POLE, WYE (N)
	SCALE None	FILE:	REV 1
			SHEET 1 of 1



H B CONTROLS	H B CONTROLS 221 WEAVER ST FALL RIVER MA 02720 508-676-7345		
	Notes: WIRING DIAGRAM		
DRAWN BY: JWP	SIZE A	ASSY DWG:	PART NO. SINGLE PHASE, SINGLE POLE
	SCALE None	FILE:	REV 1
			SHEET 1 of 1