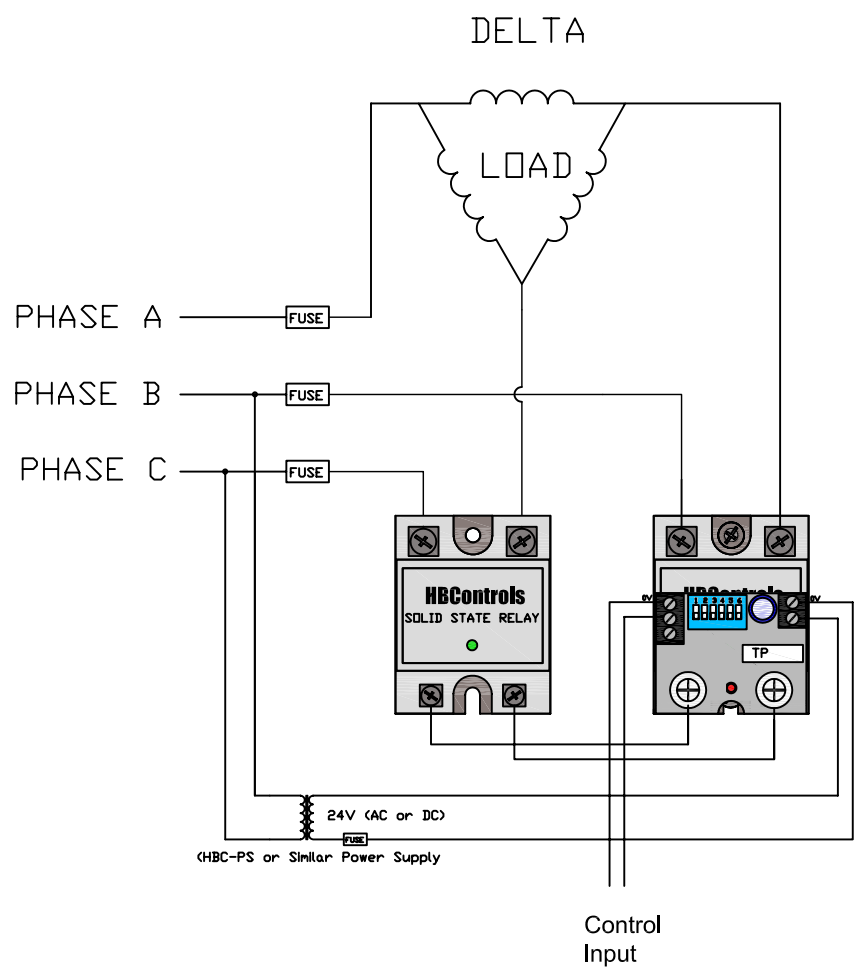


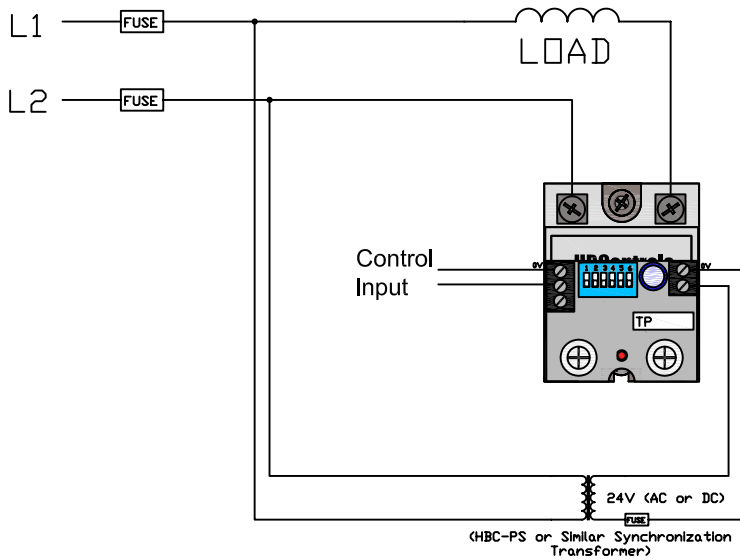
TP
Three
Phase
Applications



NOTES:
Contact HBControls Engineering Department for alternate wiring schemes

H B CONTROLS	H B CONTROLS 221 WEAVER ST FALL RIVER MA 02720 508-676-7345		
	Notes: WIRING DIAGRAM		
DRAWN BY: JWP	SIZE A	ASSY DWG:	PART NO. 3 PHASE, 2 POLE, DELTA
	SCALE None	FILE:	REV 1
			SHEET 1 of 1

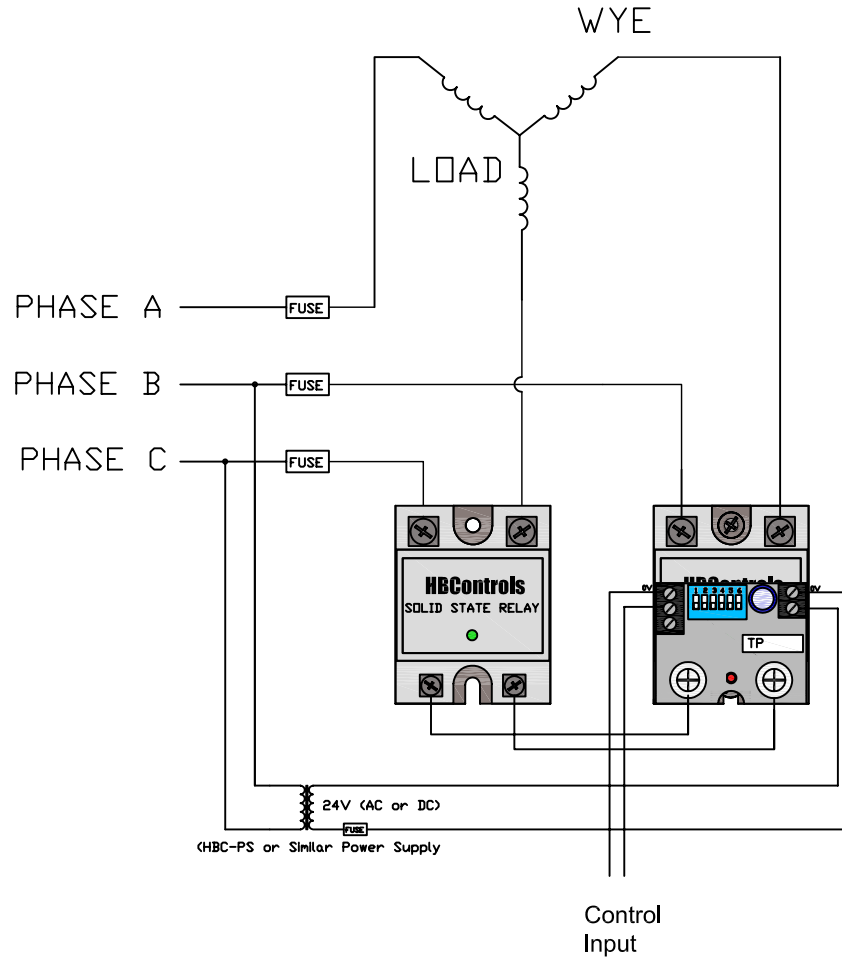
TP
Single
Phase
Applications



NOTES:
Contact HBCcontrols Engineering Department for alternate wiring schemes

H B CONTROLS	H B CONTROLS 221 WEAVER ST FALL RIVER MA 02720 508-676-7345		
	Notes: WIRING DIAGRAM		
DRAWN BY: JWP	SIZE A	ASSY DWG:	PART NO. SINGLE PHASE
	SCALE None	FILE:	REV 1
			SHEET 1 of 1

TP
Three
Phase
Applications



NOTES:
Contact HBControls Engineering Department for alternate wiring schemes

**H
B
CONTROLS**

H B CONTROLS 221 WEAVER ST
FALL RIVER MA 02720
508-676-7345

Notes:
WIRING DIAGRAM

DRAWN BY: JWP

SIZE A	ASSY DWG:	PART NO. 3 PHASE, 2 POLE, WYE	REV 1
SCALE None		FILE:	SHEET 1 of 1