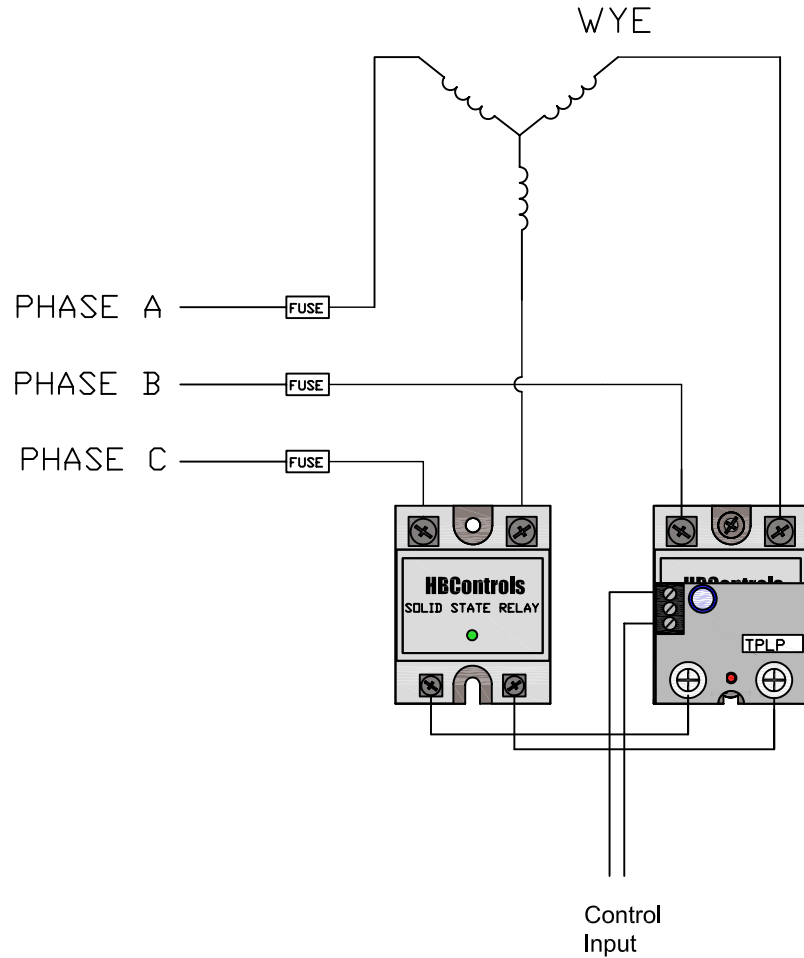


TPLP
Three
Phase
Applications



NOTES:
Contact HBControls Engineering Department for alternate wiring schemes

**H
B
CONTROLS**

H B CONTROLS 221 WEAVER ST
FALL RIVER MA 02720
508-676-7345

Notes:
WIRING DIAGRAM

DRAWN BY: JWP

SIZE
A

ASSY DWG:

PART NO.
3 PHASE, 2 POLE, WYE

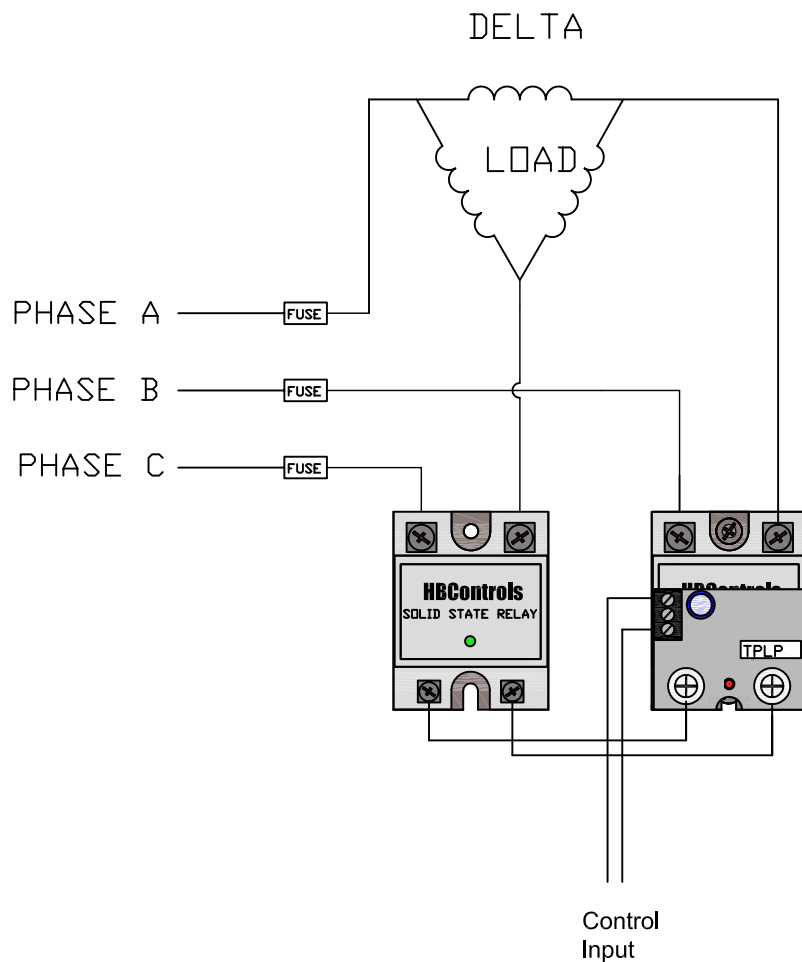
REV
1

SCALE None

FILE:

SHEET 1 of 1

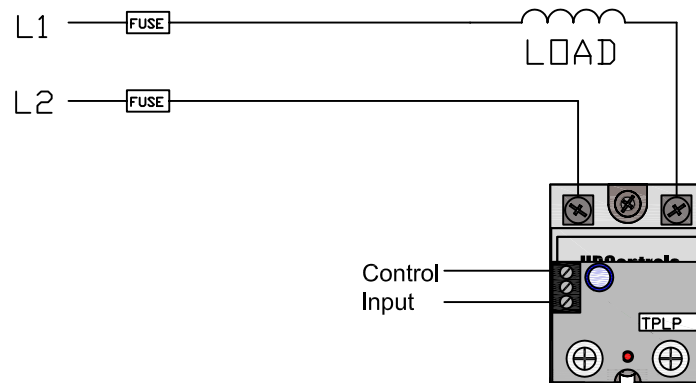
TPLP
Three
Phase
Applications



NOTES:
Contact HBControls Engineering Department for alternate wiring schemes

| | | | |
|-----------------------------|---|-----------|-----------------------------------|
| H B CONTROLS | H B CONTROLS 221 WEAVER ST FALL RIVER MA 02720 508-676-7345 | | |
| | Notes: WIRING DIAGRAM | | |
| DRAWN BY: JWP | SIZE A | ASSY DWG: | PART NO. 3 PHASE, 2 POLE DELTA |
| | SCALE None | FILE: | REV 1 |
| | | | SHEET 1 of 1 |

TPLP
Single
Phase
Applications



NOTES:
Contact HBCcontrols Engineering Department for alternate wiring schemes

| | | | |
|-----------------------------|---|-----------|--------------------------|
| H B CONTROLS | H B CONTROLS 221 WEAVER ST FALL RIVER MA 02720 508-676-7345 | | |
| | Notes: WIRING DIAGRAM | | |
| DRAWN BY: JWP | SIZE A | ASSY DWG: | PART NO. SINGLE PHASE |
| | SCALE None | FILE: | REV 1 |
| | | | SHEET 1 of 1 |